

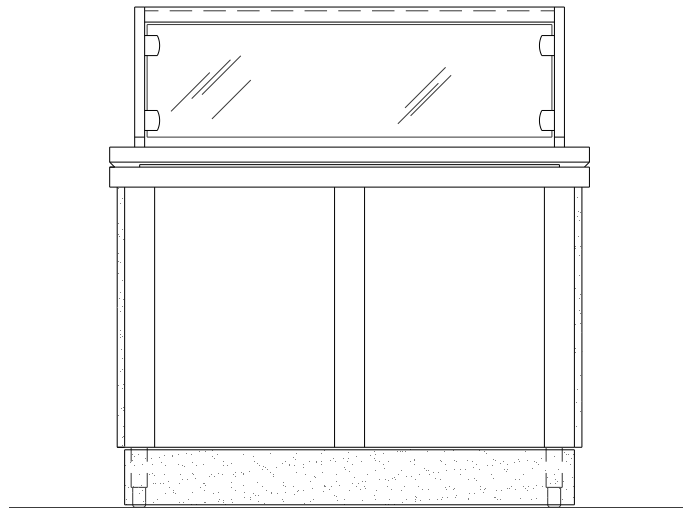


CounterSpec

A Division of CRS, Inc

Project:
Item #:
Series:

Elementary Series & Intermediate Series High School Series Serving Counter System



Standard Construction

OPTIONAL SNEEZE GUARD SHOWN

- Body—18ga Stainless Steel
- Frame- 3" x 1-1/2" Tube steel and angle frame members
- Front Panel—Removable plastic laminate or stainless steel panel with choice of reveals
- Top—14ga Stainless Steel #4 finish
- Under shelf- 18ga Stainless steel
- Legs: 6" Stainless steel legs
- Sound deadening on all tops
- Stainless Steel on all exposed areas
- Stainless steel V-Bump tray rail or solid surface tray rail with slides
- Choice of legs or casters with toe kick (s/s or laminate)
- Intermediate and lower shelf or plate shelf and lower shelf
- Drain manifold for drop-in equipment
- Pre-wired electrical connections or load center for all drop-ins, heat lamps, lights and p.o.s.
- Pre-plumbed water lines

May 2010

2668 Myrtle Springs Ave.
Dallas, TX. 75220
214.350.1110

www.completerestaurantservices.net



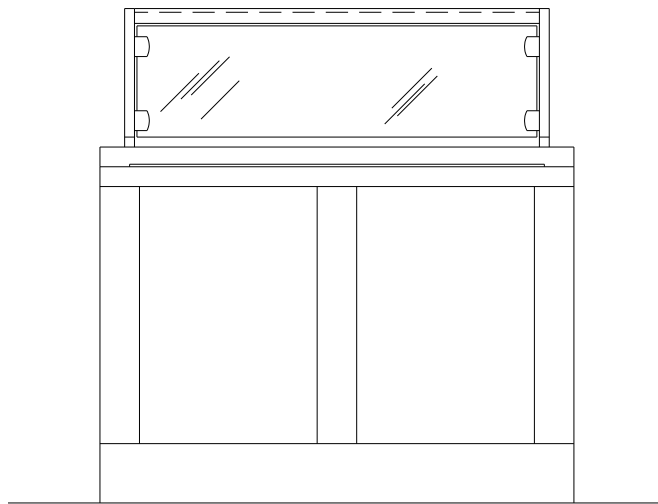


CounterSpec

A Division of CRS, Inc

Project:
Item #:
Series:

Elementary Series & Intermediate Series & High School Series Serving Counter System



Die Wall Construction OPTIONAL SNEEZE GUARD SHOWN

- Body—18ga Stainless Steel
- Frame- 3" x 1-1/2" Tube steel and angle frame members
- Die Wall design for simple utility connection
- Front Panel—Removable plastic laminate or stainless steel panel with choice of reveals
- Top—14ga Stainless Steel #4 finish
- Under shelf- 18ga Stainless steel
- Legs: 6" Stainless steel legs
- Sound deadening on all tops
- Stainless Steel on all exposed areas
- Stainless steel V-Bump tray rail or solid surface tray rail with slides
- Choice of legs or casters with toe kick (s/s or laminate)
- Intermediate and lower shelf or plate shelf and lower shelf
- Drain manifold for drop-in equipment
- Pre-wired electrical connections or load center for all drop-ins, heat lamps, lights and p.o.s.
- Pre-plumbed water lines

May 2010

2668 Myrtle Springs Ave.
Dallas, TX. 75220
214.350.1110
www.completerestaurantservices.net

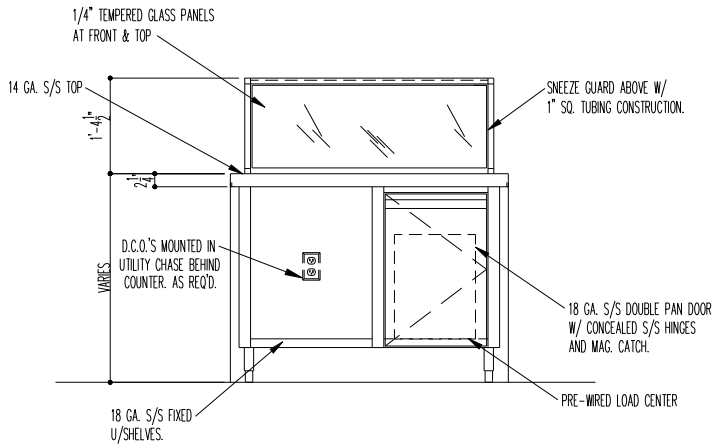




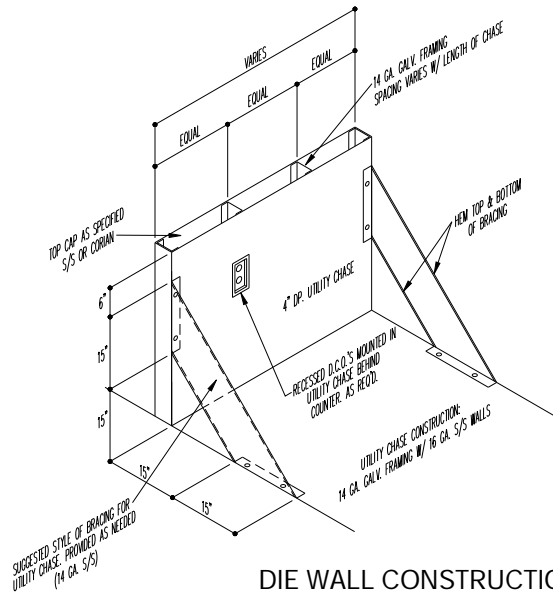
CounterSpec

A Division of CRS, Inc

Elementary Series
Intermediate Series
High School Series
Serving Counter



REAR ELEVATION
WITH OPTIONAL SNEEZE GUARD



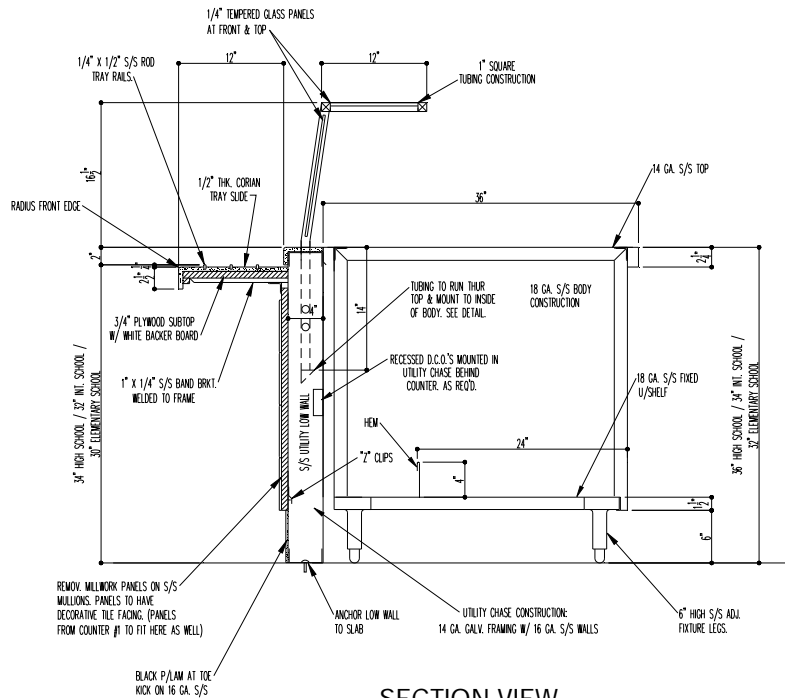
DIE WALL CONSTRUCTION

Standard details shown. Final approved shop drawings to indicate all drop-in equipment, details, options and color selections as determined by the Architect / Consultant.

Additional customization is available, please contact factory for design and pricing solutions.

1 year parts and labor warranty on all fabricated equipment.

Additional 4 year compressor warranty on all self-contained refrigeration equipment.



SECTION VIEW

In the interest of continual improvement, CounterSpec reserves the right to modify this product without notice.

May 2010

2668 Myrtle Springs Ave.
Dallas, TX. 75220
214.350.1110

www.completerestaurantservices.net

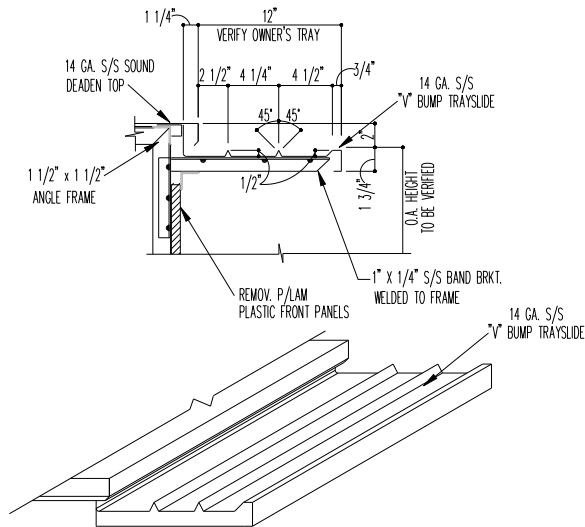




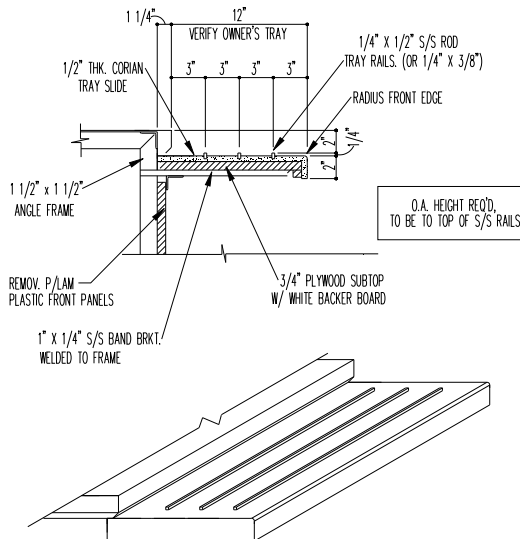
CounterSpec

A Division of CRS, Inc

Elementary Series
Intermediate Series
High School Series
Serving Counter



S/S "V" BUMP STYLE



CORIAN W/ S/S RAILS

In the interest of continual improvement, CounterSpec reserves the right to modify this product without notice.

May 2010

2668 Myrtle Springs Ave.
Dallas, TX. 75220
214.350.1110
www.completerestaurantservices.net

