

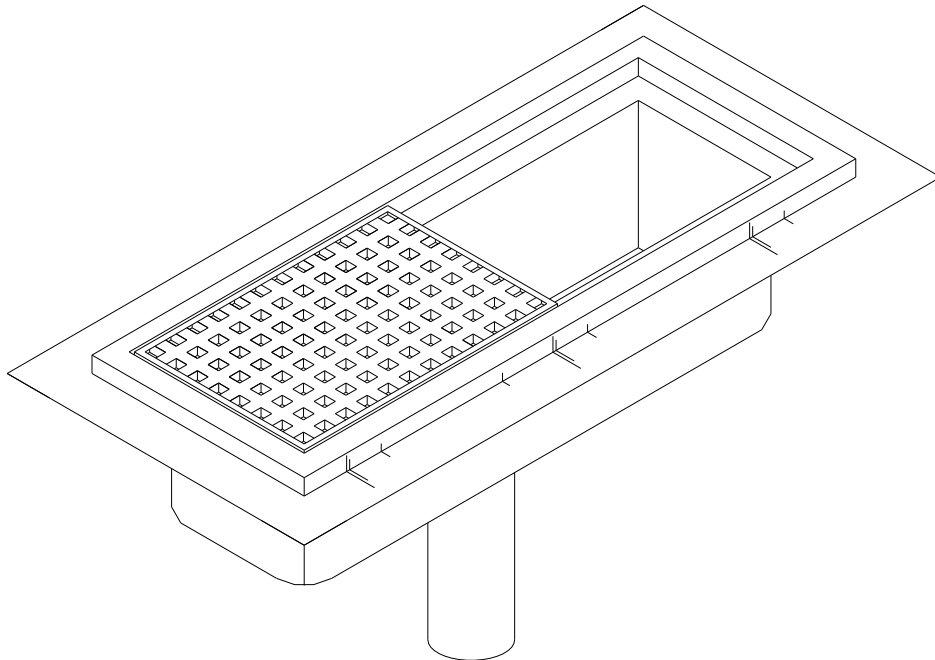


CounterSpec

A Division of CRS, Inc

Project:
Item #:
Series:

Stainless Steel Floor Trough



Standard Construction

- 14 Ga 304 Stainless Steel
- 1" thick ChemGrate® grating
- 6" deep
- Stainless Steel #4 finish
- Fully welded 3" drain tube
- Perforated strainer with welded security chain
- Z-anchors attached to trough
- Drain location as required
- Customizable overall sizes

Optional Components

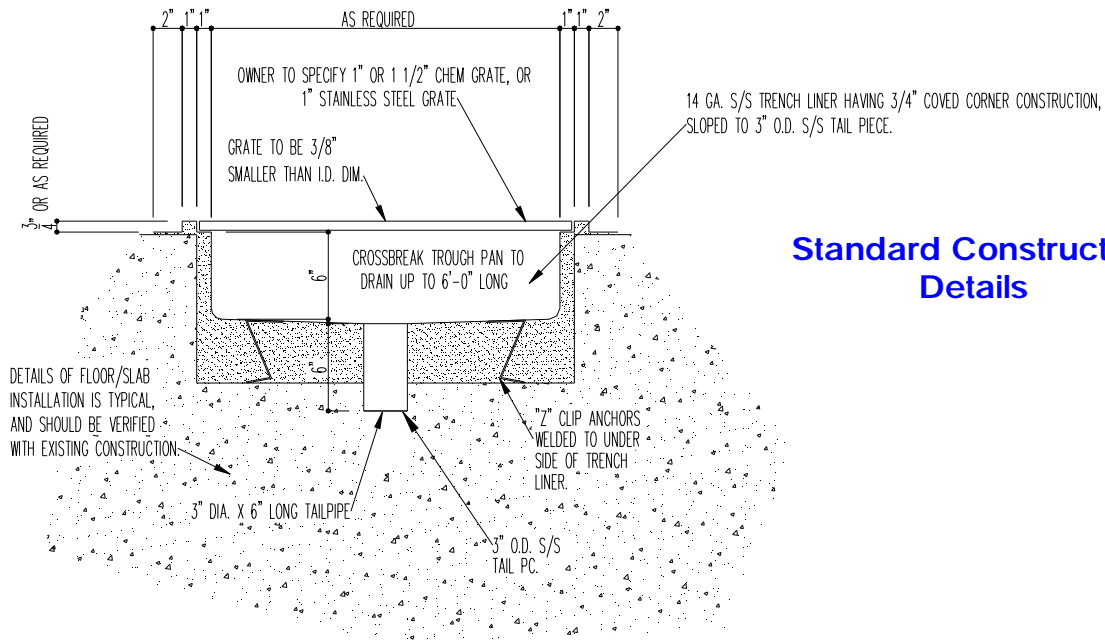
- Fully welded recessed drain cup and perforated basket
- 1-1/2" thick ChemGrate® grating
- 1" thick stainless steel grating
- Weep holes
- Call for additional modifications



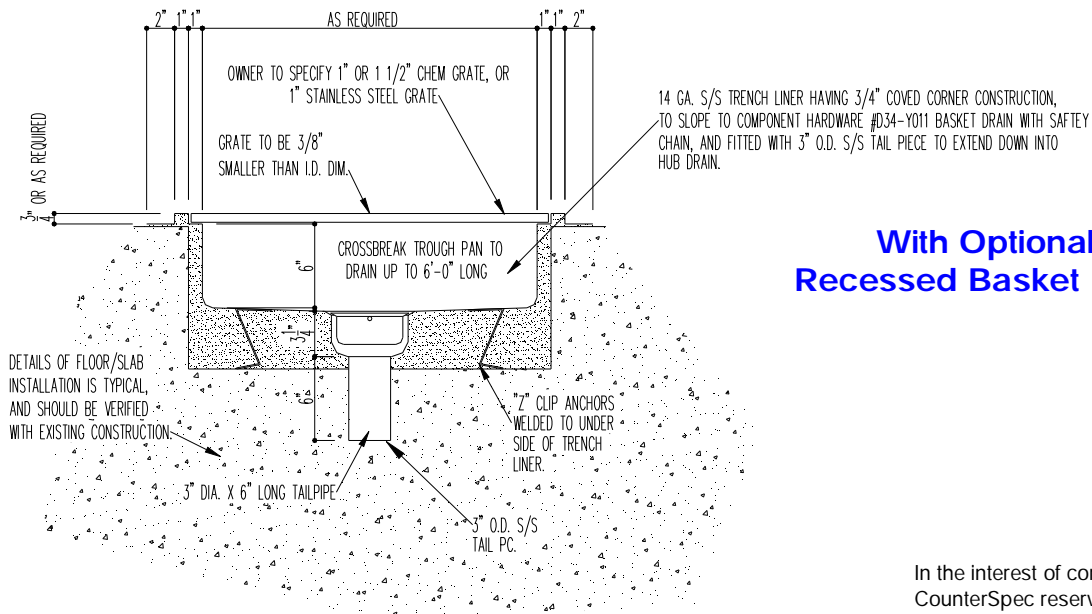
CounterSpec

A Division of CRS, Inc

Stainless Steel Floor Trough



**Standard Construction
Details**



**With Optional
Recessed Basket Drain**

In the interest of continual improvement, CounterSpec reserves the right to modify this product without notice.

